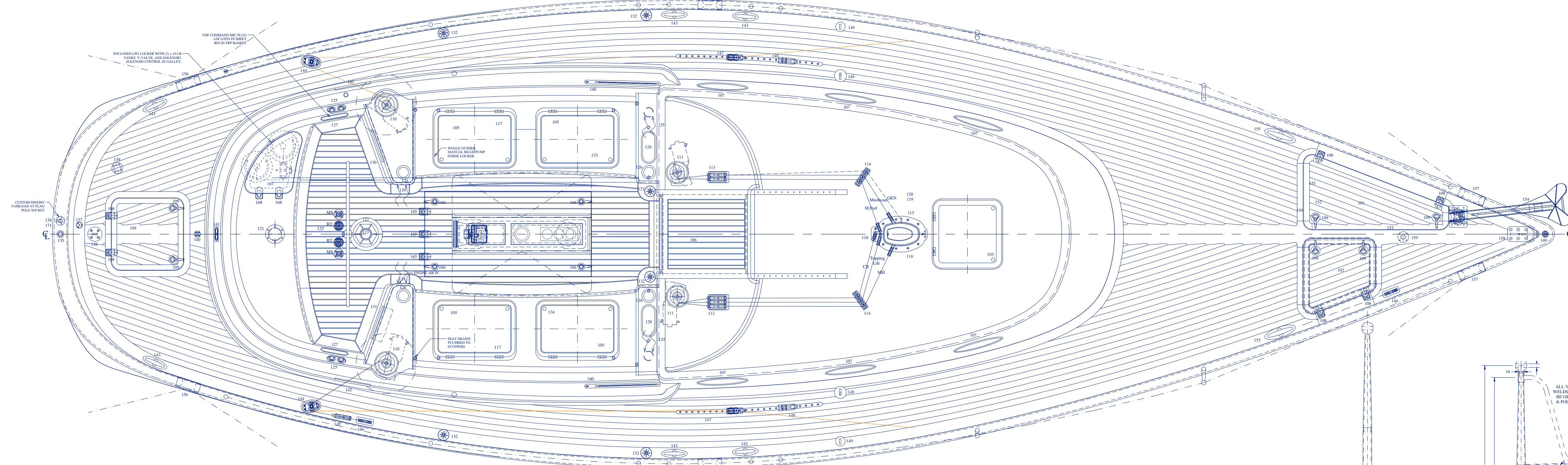
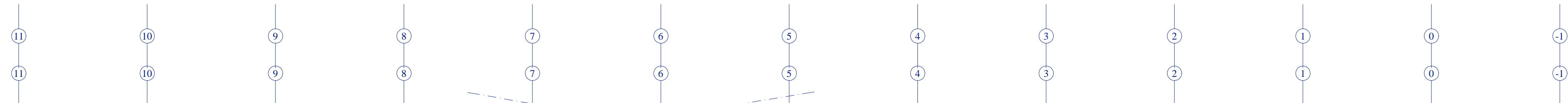


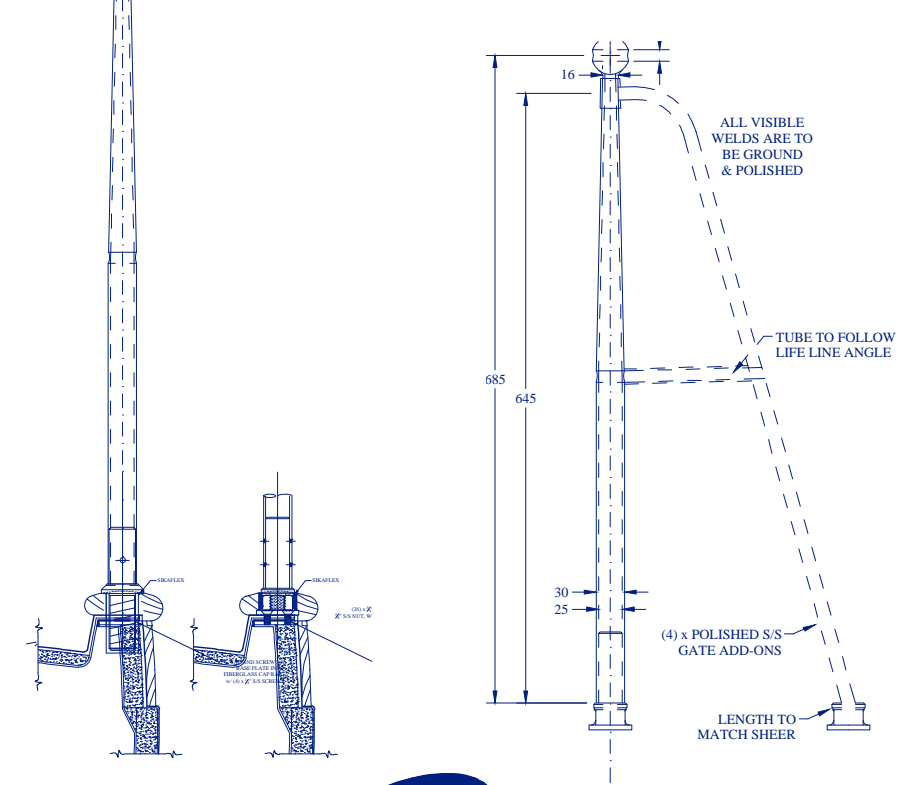
- MAIN SHEET
- GENOA FURLING
- CB PENNANT
- GENOA HALYARD
- MAIN HALYARD
- MASTHD HALYARD
- GENOA SHEET
- MAIN FURLING



POS	QTY	DESCRIPTION	REMARKS	STATION	MFG.
101	1	HATCH - ANCHOR		5	BUILDER
102	1	HATCH - FOREPEAK ACCESS		1	BUILDER
103	1	HATCH - INTERIOR	LDH-50-1	3.5	MANSHIP
104	1	HATCH - LAZETTE	600mm x 600mm	11	BUILDER
105	4	HATCH - COCKPIT	LDH-CUST	7-9	MANSHIP
106	1	COMPANIONWAY HATCH	700 x 900	6	BUILDER
107	6	CABIN PORTLIGHT - NON OPENING	150mm x 400mm	3.5 - 6	BUILDER
108	6	CUSTOM HATCH - HINGES	893	5,1,11	NIRO PETE
109	6	CUSTOM HATCH - LATCHES	M1-25-32	5,1,11	SORTICO
110	2	PRIMARY WINCHES	44EST	9	LEWMAR
111	2	HALYARD WINCHES	44EST	6.5	LEWMAR
112	1	TRIPLE SHEET STOPPERS	507-131	6.5	ANTAL
113	1	DOUBLE SHEET STOPPERS	507-121	6.5	ANTAL
114	2	3-SHEAVE DECK ORGANIZER	823-042-S	5	ANTAL
115	1	STAINLESS MAST COLLAR	CUSTOM	4.5	BUILDER
116	4	HALYARD SHEAVES	800-074	4.5	ANTAL
117	2	DECK FILL - FRESH WATER	6125	7	WHITECAP
118	1	CB PENNANT THRU DECK FITTING	SS	4.5	BUILDER
119	1	32 mm HALYARD TRACK	602-212-S	MAST	ANTAL
120	1	SLIDER CAR	622-402-S	MAST	ANTAL
121	1	UPPER BEARING INCL. DECK PLATE	EMER-TILLER	10	LEWMAR
122	1	STEERING PEDestal	COBRA CLASSIC	9.5	LEWMAR
123	1	TRADITIONAL STYLE COMPASS	C62SSC	9.5	DANFORTH

POS	QTY	DESCRIPTION	REMARKS	STATION	MFG.
124	2	WINCH HANDLES	010100		LEWMAR
125	12	SS WINCH BUTTONS	251-350	7-9	ANTAL
126	4	STAINLESS DRINK HOLDERS	CUSTOM	7-9	BUILDER
127	2	STAINLESS SHEET BIS RINGS	CUSTOM	7-9	BUILDER
128	2	STAINLESS HALYARD BIN RINGS	CUSTOM	7-9	BUILDER
129	2	STAINLESS ER AIR GRILLS	CUSTOM	7-9	BUILDER
130	1	HYDRAULIC PANEL	B-STAY & VANG	9.5	NAVTEC
131	1	STAINLESS ENGINE PANEL	CUSTOM	9.5	BUILDER
132	6	SCUPPERS, COCKPIT & DECK	CUSTOM	6.5 - 8.5	BUILDER
133	1	DECK FILL - DIESEL	6395	7	WHITECAP
134	1	DECK FILL - WASTE	6216	7.5	WHITECAP
135	1	STERN LIGHT	0965DPCHR	12	PERKO
136	1	FLAG POLE SOCKET	2294SS	12	ARI
137	1	S.S. HYDRAULIC DECK FITTING	CUSTOM	12	BUILDER
138	1	S.S. BACKSTAY FITTING	CUSTOM	12	BUILDER
139	1	S.S. DECKSHOWER FITTING	CUSTOM	12	BUILDER
140	2	PAD EYE	627	11,-1	HARKEN
141	1	S.S. THRU DECK MAINSHEET	CUSTOM	10.5	BUILDER
142	2	S.S. RUB STRAKES	3/4" x 12"	9.5	LEWIS
143	6	POP UP DECK CLEAT	8" - #66524	6.5,11	ATTWOOD
144	2	DOUBLE FOOTBLOCK	832-074-S	9	ANTAL
145	1	SHEET STOPPERS	1507-111	9.5	ANTAL
146	2	THRU DECK IN-LINE EXIT BLOCKS	CUSTOM	0.9	BUILDER

POS	QTY	DESCRIPTION	REMARKS	STATION	MFG.
147	2	32 mm GENOA TRACKS (4 ft)	602-212-S	5-7	ANTAL
148	2	GENOA CARS	622-492-S	5-7	ANTAL
149	4	S.S. V1 & V2 FITTINGS	CUSTOM	5	BUILDER
150	1	ANCHOR WINCH	S.S. V2	-1	LEWMAR
151	1	ANCHOR WASH FITTING		-1	ANTAL
152	2	SS WINCH BUTTONS	251-035	-1	ANTAL
153	1	S.S. CLEAT		-1	ANTAL
154	1	S.S. ANCHORWHIP	CUSTOM	-1	BUILDER
155	2	POP UP DECK CLEAT	110" - #66528	1	ATTWOOD
156	4	S.S. FAIRLEADS, 20MM	CUSTOM	6,11	BUILDER
157	2	S.S. FAIRLEADS, 225MM	CUSTOM	-1	BUILDER
158	1	S.S. FORESTAY FITTING	CUSTOM	-1	BUILDER
159	1	S.S. FLUSH PAD EYE	208	-1	ACCON
160	1	S.S. DODGER WING TRACKS	CUSTOM	7	BUILDER



FONTAINE DESIGN GROUP
 NAVAL ARCHITECTS & MARINE ENGINEERS
 92 MARITIME DRIVE PORTSMOUTH RHODE ISLAND 02871
 Tel: (401) 682-9101 Fax: (401) 682-9102

THIS DRAWING REPRESENTS DETAILS AND DESIGN FEATURES AS ELEMENTS OF A DESIGN PREPARED BY FONTAINE DESIGN GROUP AND IS TO BE USED ONLY FOR WORK AUTHORIZED IN WRITING BY SAID FIRM. THE USE OF THESE PLANS, DIRECTLY OR INDIRECTLY FOR ANY WORK OTHER THAN AUTHORIZED IS FORBIDDEN AND WILL BE CONSIDERED AN INFRINGEMENT OF THESE RIGHTS. THIS PLAN IS TO BE RETURNED UPON COMPLETION OF SAID WORK. ALL RIGHTS OF DESIGN ARE RESERVED.

No.	CHANGES	DATE
-	-	date-

No.	CHANGES	DATE
-	-	date-

No.	CHANGES	DATE
-	-	date-

DECK PLAN & PROFILE
 FOR
FRIENDSHIP 40-000
STANDARD BOAT
 DRAWN BY: BMA CHECKED BY: -
 SCALE: 1:20 28 August 2007 Dwg. 1004-000-301 Rev. 0